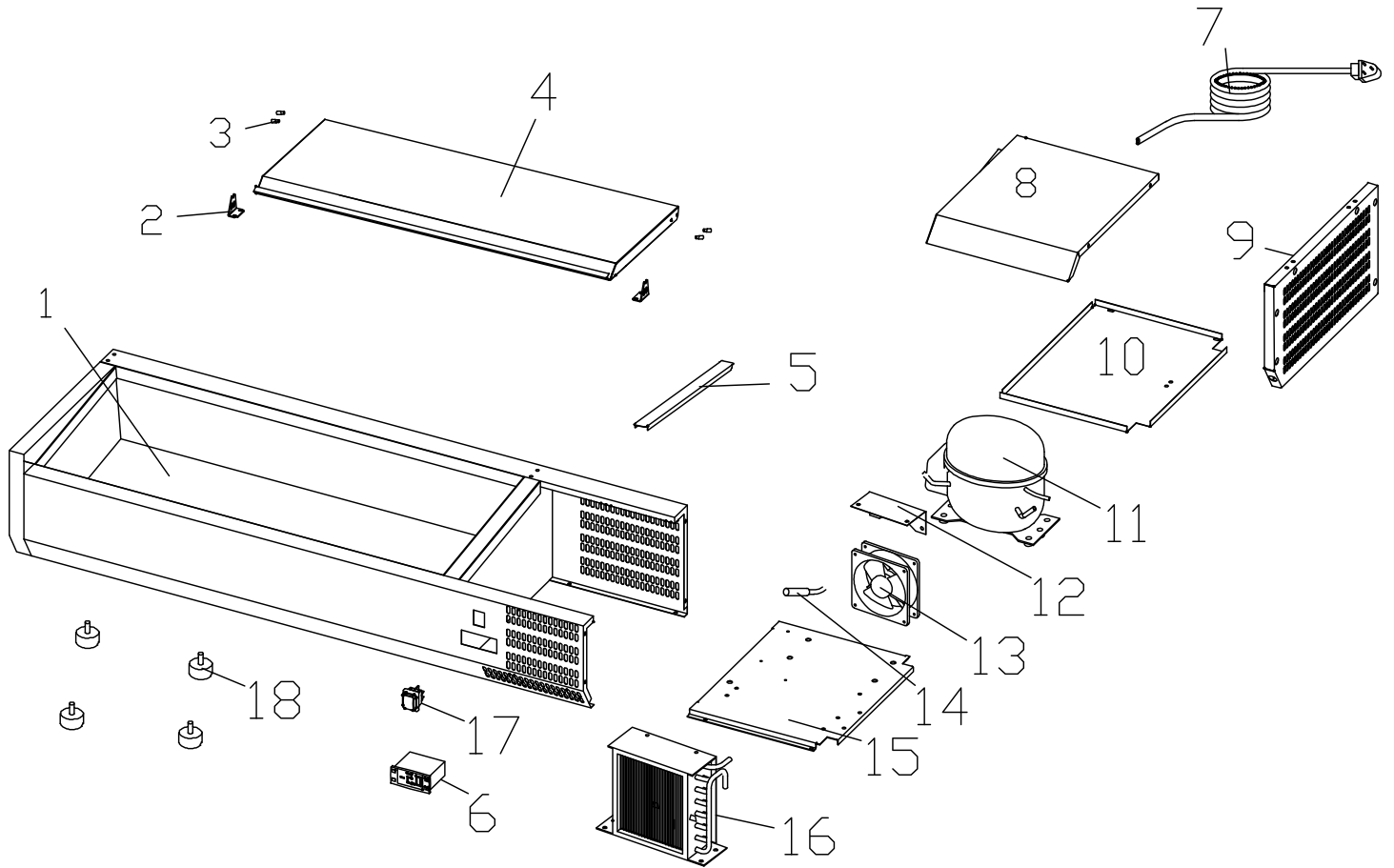


# Parts Breakdown

Model RS-CN-0004-PSS 46658



# Parts Breakdown

---

## Model RS-CN-0004-PSS 46658

Item No.	Description	Position	Item No.	Description	Position	Item No.	Description	Position
AD834	Body for 46658	1	AD819	Power Cord for 46658	7	AD826	Sensor for 46658	14
AD813	Cover Hinge Left for 46658	2	AD820	Stainless Steel Pan Cover for 46658	8	AD827	Unit Board for 46658	15
AD814	Cover Hinge Right for 46658	2	AD821	Side Cover for 46658	9	AD828	Condenser for 46658	16
AD815	Cover Hinge Axis for 46658	3	AD822	Unit Plate for 46658	10	AD829	Main Switch for 46658	17
AF203	Stainless Steel Lid for 46658	4	AD823	Compressor for 46658	11	AD830	Adjustable Feet for 46658	18
AD836	Pan Support for 46658	5	AD824	Fan Connection Board for 46658	12			
AD818	Thermostat for 46658	6	AD825	Condenser Fan for 46658	13			